

RNC 205

HEAT RECOVERY VENTILATOR



ENGINEERING DATA:

THERMALLY CONDUCTIVE, PATENTED ALUMINUM HEX CORE

The counter-flow heat recovery core transfers heat between two airstreams. It is easily removed for cleaning or service.

MOTORS AND BLOWERS

Each airstream has an independent centrifugal blower with multiple fan speed operation.

FILTERS

Washable air filters in exhaust and supply airstreams.

MOUNTING

Threaded inserts at corners of the cabinet designed to accept the "S" hooks and hanging straps supplied with the unit.

DEFROST

Recirculating damper defrost system.

CASE

20 gauge prepainted galvanized steel for superior corrosion resistance, insulated to prevent exterior condensation. Balancing ports are located on unit.

DRAIN CONNECTION

Two 1/2 in (12 mm) outer diameter.

INSTALLER SELECTABLE HIGH SPEED SETTINGS

Adjustable DIP switches are located on the circuit board, Hi3 is the factory setting. Refer to the installation manual for the adjustment instructions.

ELECTRONICS

The optional controls can be wall mounted in a central location. 3 wire 20 gauge (min.) 100 ft. length (max.).

OPTIONAL ACCESSORIES:

TechGrille
99-EAG4
99-EAG5
99-EAG6
99-EAG8



Terminator Fitting
99-TM4
99-TM5
99-TM6



Wireless 20/40/60 Min Timer
99-DET02



Kitchen Grille
10-002



Weather Hoods
99-185



LIFEBREATH CONTROL OPTIONS

FEATURES	99-DXPLO2	99-BC02	99-BC03	99-BC04
5 speed fan operation on each mode	✓			
2 speed fan operation (Low/High)		✓		✓
Continuous low speed fan operation			✓	
Humidity control through adjustable Dehumidistat	✓	✓	✓	
Large digital LCD screen	✓			
LED status indicator lights		✓	✓	✓
Continuous Ventilation	✓		✓	
Continuous Recirculation	✓		✓	
20 ON/40 OFF	✓			
10 ON/50 OFF	✓			
20 ON/40 Recirculation	✓		✓	✓
20/40/60 min. High speed override button	✓			
Compatible with 99-DET02 Wireless Timer	✓	✓	✓	✓
3 wire connection	✓	✓	✓	✓

TIMER OPTIONS

99-DET01 - Lifebreath 20/40/60 Minute Timer
Initiates high speed ventilation for 20, 40 or 60 minutes. 3 wire connection.

99-DET02 - Wireless Lifebreath 20/40/60 Minute Timer

Initiates high speed ventilation for 20, 40 or 60 minutes. Wirelessly connects to main control for ease of installation. 40' approximate range.
Exclusive to Lifebreath.

99-RX02 - Wireless Lifebreath Repeater

Extends range of 99-DET02 Wireless Timers. Plugs into 120V power outlet. Wirelessly connects to main control and 99-DET02. Install at halfway point between timer and main wall control if timer is out of range.



99-DXPLO2



99-DET02



RNC 205

HEAT RECOVERY VENTILATOR

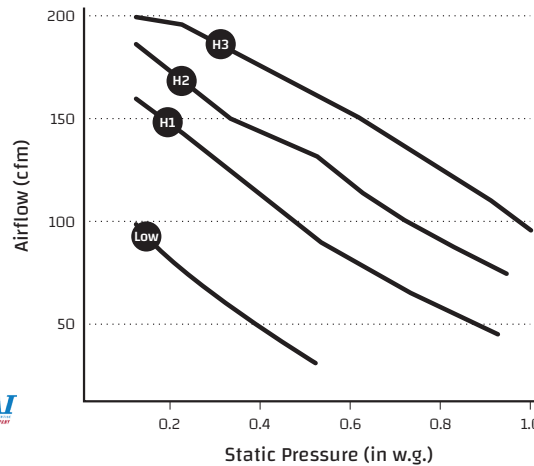


PERFORMANCE (HVI CERTIFIED)

IN. W.G. (PA)	0.1 (25) CFM (L/s)	0.2 (50) CFM (L/s)	0.3 (75) CFM (L/s)	0.4 (100) CFM (L/s)	0.5 (125) CFM (L/s)	0.6 (150) CFM (L/s)	0.7 (175) CFM (L/s)
Net Supply Airflow	203 (96)	193 (91)	182 (86)	172 (81)	159 (75)	148 (70)	136 (64)
Gross Supply Airflow	208 (98)	197 (93)	186 (88)	174 (82)	163 (77)	150 (71)	138 (65)
Gross Exhaust Airflow	212 (100)	199 (94)	186 (88)	172 (81)	159 (75)	144 (68)	129 (61)

ELECTRICAL SPECIFICATIONS	
VAC @ 60Hz	120
Watts / Low Speed	64
Watts / High Speed	96
Amp Rating	1.4

Sensible Effectiveness (ASE) @ 64 CFM (30 L/s)	32°F (0°C)	85%
Sensible Effectiveness (SRE) @ 64 CFM (30 L/s)	32°F (0°C)	76%
Sensible Effectiveness (SRE) @ 100 CFM (47 L/s)	32°F (0°C)	73%
Sensible Effectiveness (SRE) @ 102 CFM (48 L/s)	-13°F (-25°C)	70%



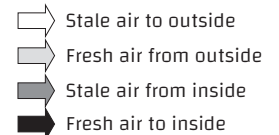
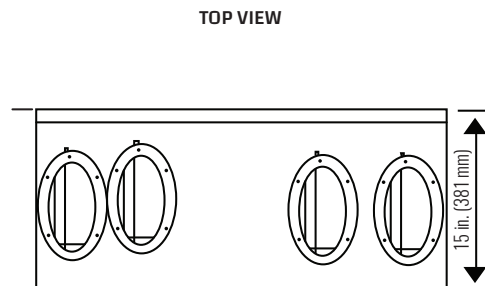
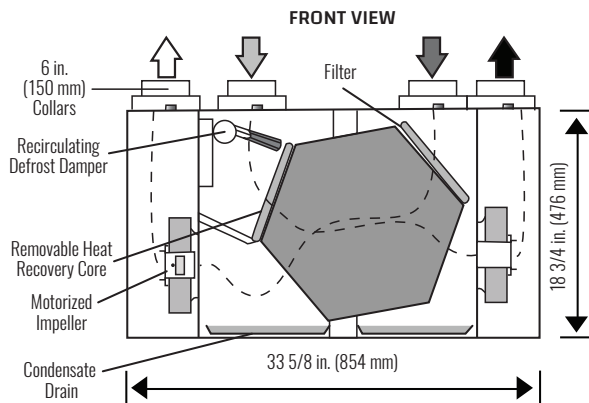
WEIGHT:
57 LBS (25.8 KG)

SHIPPING WEIGHT:
67 LBS (30 KG)

NOTE:
Front clearance of 25 in. (635 mm)
is recommended for servicing unit. All
ducts use 5 in. (125 mm) round collars.



DIMENSIONS



Date: _____

Contractor: _____

Tag: _____

Supplier: _____

Project: _____ Qty: _____

Quote #: _____

Engineer: _____

Submitted By: _____

Control: _____

Timer: _____ Timer Qty: _____

WARRANTY

Units carry a lifetime warranty on the HRV core and a 5 year replacement parts warranty.

All units conform to CSA and UL standards